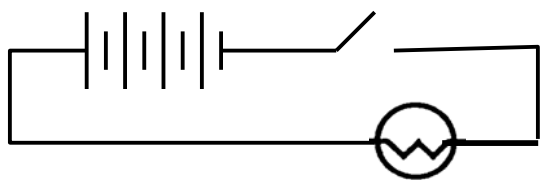


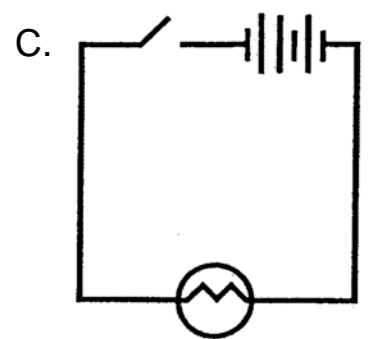
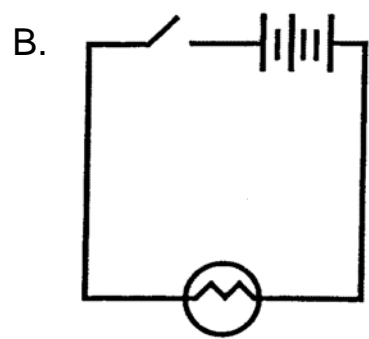
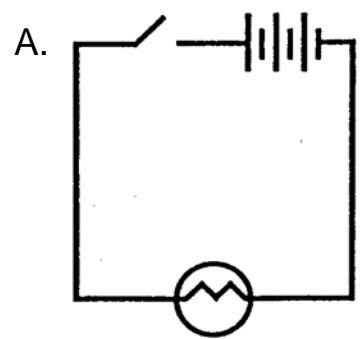
Electrical Circuits
Quiz #3

Name _____

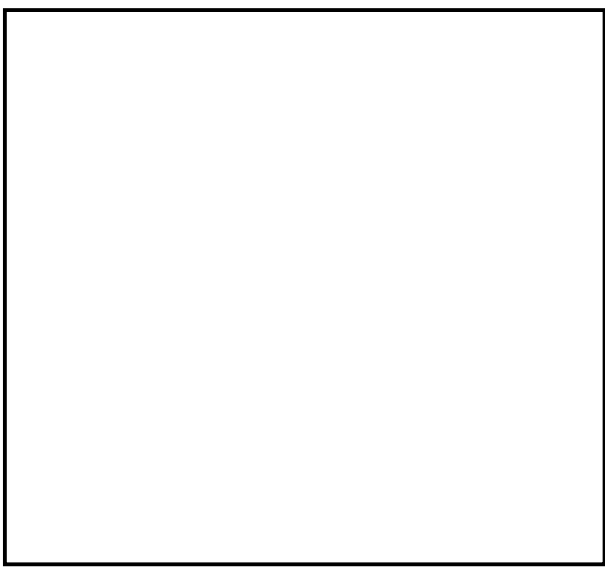
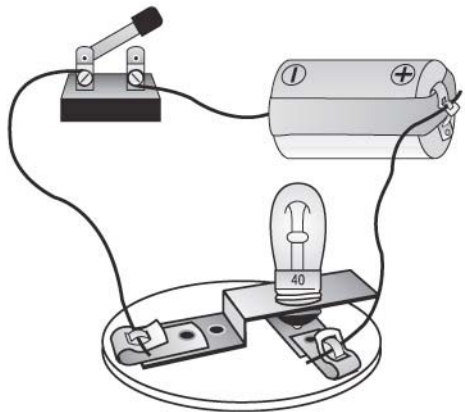
1. How many batteries are shown in this wiring diagram? _____



2. Circle the letter of the circuit in which the bulb would be the brightest when the switches are closed.

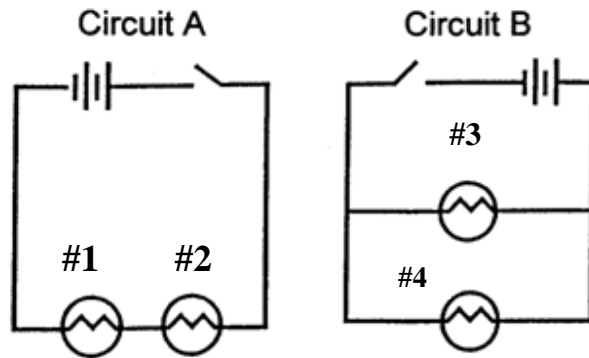


3. Draw a wiring diagram for the circuit in the box below.



4. An electrician is putting electrical circuits in your house. What kind of circuits, series or parallel, would you want in the house? Explain.

Questions 5-7 refer to circuits A and B below.



5. Darrell closed the switch in circuit A. Both bulbs lit. If Darrell unscrews bulb #1, what will happen to bulb #2?

6. Maria closed the switch in circuit B. Both bulbs lit. If Maria unscrews bulb #3, what will happen to bulb #4?

7. In which circuit are the two bulbs connected in series? _____